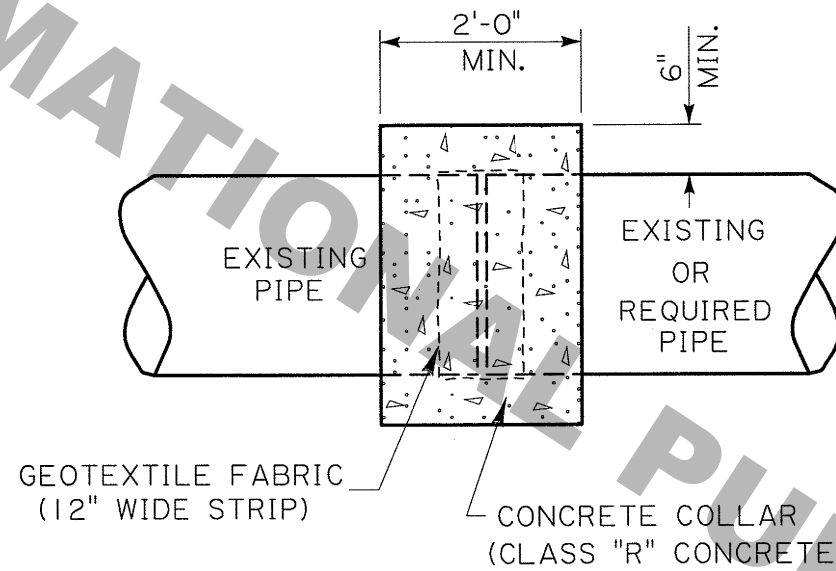


CONCRETE COLLAR DETAIL

TO REPAIR EXISTING PIPE JOINT SEPARATION
AND/OR
TO CONNECT EXISTING PIPE TO NEW PIPE



NOTES:

- 1) NEW PIPE EXTENSION SHALL MATCH EXISTING PIPE IN MATERIAL TYPE AND SIZE BASED ON THE LATEST INDUSTRY STANDARDS.
- 2) WRAP PIPE JOINTS WITH GEOTEXTILE FABRIC BEFORE POURING CONCRETE. SEE SECTION 1019.01 OF THE CURRENT LA DOTD STD. SPECS.
- 3) COST OF COLLARS TO BE AS PER SECTION 701.13 OF THE CURRENT LADOTD STD. SPECS.



M. Hashemieh
12/3/2015

FOR INFORMATIONAL PURPOSES ONLY

SHEET NUMBER		PARISH		CONTROL SECTION		STATE PROJECT	
DESIGNED	CHECKED	DETAILED	K.A.J.	CHECKED	J.C.M.	SERIES NUMBER	1 OF 1
MH	J.E.T.	W.M.R.	J.C.M.	REVISION OR CHANGE ORDER DESCRIPTION			
4	12-3-15	Added Note and Changed Subtitle					
3	10-15-03	Combined details and revised Note 2: Cost Of Collars					
2	7-10-01	Revised Notes and Added New Sheet					
1	8-26-98	Added Special Detail Name COLLAR-01					
NO.	DATE						
CONCRETE COLLAR DETAIL							
							COLLAR-01
HYDRAULICS SECT.							